

IPPTZ-SBS3IR16XM: Specifications

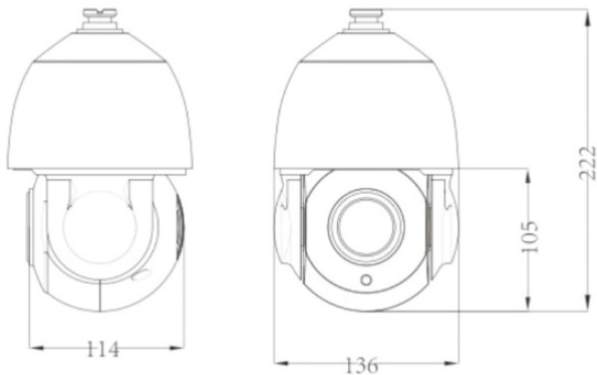
3mp IP Network PTZ Weatherproof with IR & 16x Zoom



Key Features:

- 3 Mega Pixel (2048 x 1536 @25/30fps)
- H.265 and H.264 image compression format
- SD card local storage
- Supports select area amplification and PTZ functions
- Smart Alarm Motion & Sensor
- 164 feet IR night view distance
- 1 CH audio input and 1 CH audio output
- IP66 Weatherproof
- TVS 6KV lightning protection, surge protection
- 24vAC Power Supply
- Supports smart phone, iPad, remote monitoring

Dimensions:



Model#: IPPTZ-SBS3IR16XM	
Camera	
Image Sensor	1 / 2.8" Progressive Scan CMOS
Effective Pixels	3MP
White Balance	Auto / Manual
AGC	Auto / Manual
3D DNR	Yes
Lens	
Focal Length	5.5 ~ 88 mm
Function	
Pan Range	360° endless rotation
Tilt Range	Manual control speed: 0.1° ~ 120°/s; preset speed: 160°/s
Tilt Speed	Manual control speed: 0.1° ~ 50°/s; preset speed: 50°/s
Zoom	Yes
Preset	256 presets
Cruise	8 cruises, 16 presets for each cruise
Scan	2 scans
Track	4 tracks, 3 minutes' recording for each track
Time Task	Yes
Home Position	Yes
Power Off Memory	Yes
IR Function	
IR Distance	164ft (50 m)
IR Control	Brightness and angle of the IR LEDs to be smartly according to the scenes
Network	
Max Image Size	2048 x 1536
Resolution	3MP (2048x 1536), 2MP (1920 x 1080), 1.3MP (1280 x 960), VGA (640 x 480)
Video Compression	H.265 / H.264 / MJPEG
Video Compression Protocol	G.711A / G.711U
Network Protocol	TCP / IP, UDP, DHCP, DDNS, NTP, RTSP, SMTP, FTP, PPPoE, IPv4 / IPv6
Preview Video channels	Max 10 CH
System Integration	
Network Interface	Built-in RJ45 network port, support 10M / 100M network data
SD Card Interface	Built-in Micro SD card slot, support manual recording
API	API, SDK, ONVIF, GB / T28181
Web Client	Web 4.0
General Specifications	
OSD Menu	Chinese / English
Power Supply	DC12V 4000 mA (15W, max 30W)
Working Environment	-30 ~ 60°C; humidity: less than 90%
Protection Level	IP66, IK10, TVS6KV lightning protection, surge protection

Specification Subject to change without Notice*