

Network Camera Quick Start Guide

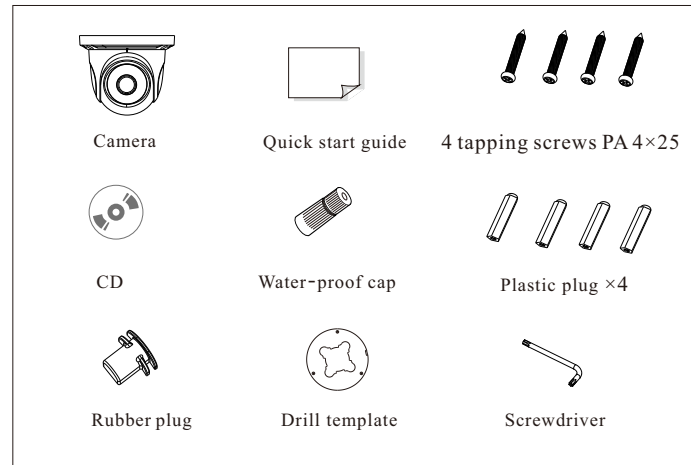
Thank you for purchasing Sibell. We are always looking to improve and will update the products or procedures as technology changes and the industry adapts. If you need further product assistance please contact your technical support specialist.

Content is subject to change without notice.*

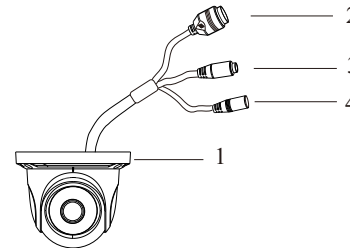
1 Warning and Caution

- If the product does not work properly, please contact your dealer or the nearest service center. Never attempt to disassemble the camera yourself. (We shall not be responsible for any problems caused by unauthorized repair or maintenance.)
 - Keep away from liquid while in use due to risks of electric shock
 - When using this product, you must be strict compliance with electrical safety regulations to reduce the risk of electric shock. When the product is mounted on the wall or ceiling, the device should be secured firmly.
 - Do not use camera beyond specified voltage range
 - Do not drop the camera or damage the camera physically
 - Avoid touching the camera lens
 - If cleaning is necessary, please use clean cloth to wipe the lens gently
- If the device will not be in use for a long period of time, please cover the lens with lens cap to protect the device.
- Do not aim the camera at the sun or extra bright illumination
 - Do not place the camera in dusty, damp or extremely hot, or col situations/locations (the operating temperature is $-4^{\circ}\text{F}\sim 122^{\circ}\text{F}/-20^{\circ}\text{C}\sim 50^{\circ}\text{C}$), and do not expose it to high electromagnetism or radiation.
 - To avoid heat accumulation, good ventilation is required for operation environment.
 - Regular Maintenance is recommended for all users

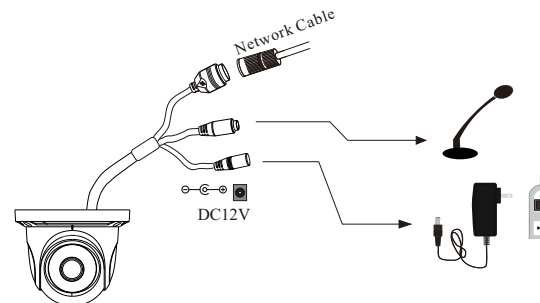
2 Package



3 Overview

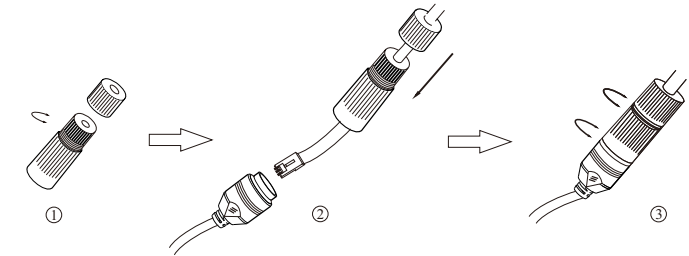


1	Mounting Base	3	MIC IN Cable
2	Network Cable	4	Power Cable



- * 1 It is recommended to install the water-proof cap for network cable connection.
- * 2 If the PoE network switch is used to connect the camera that supports the PoE power supply, DC12V power supply is not required.

► Connecting Network Cable



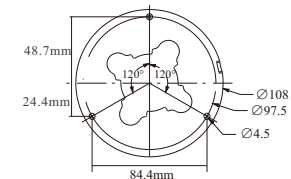
- ① Loosen the nut from the main element.
- ② Run the network cable (without RJ 45 connector) through the both elements. Then crimp the cable with RJ 45 connector.
- ③ Connect the cable to the hermetic connector. Then tighten the nut and the main cover.

**To Use Water-proof Cap:
you must have experience in cable termination**

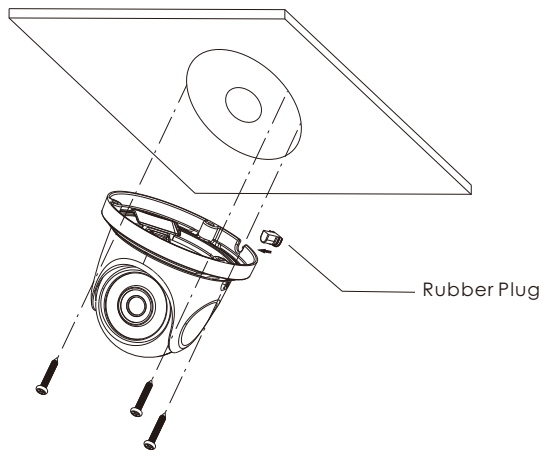
4 Installation

Please make sure that the wall or ceiling is strong enough to withstand 3 times the weight of the camera.

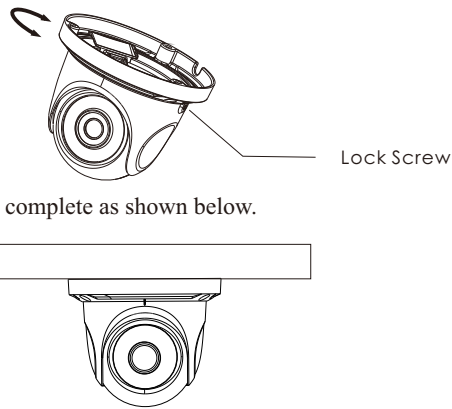
- ① Drill the screw holes and the cable hole on the wall according to the drill template.



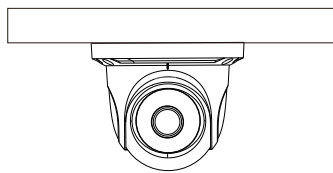
- ② Route and connect the cables. Then secure the camera to the ceiling or wall with screws.



③ Adjust the camera to obtain an optimum angle by loosening the lock screws. Before adjustment, preview the image of the camera on a monitor. Tighten the lock screws after you finish adjusting the view angle of the camera.



④ The installation is complete as shown below.



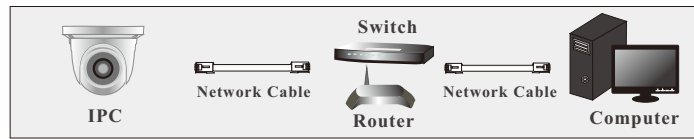
5 IE Network Connection

SECTION 1: Accessing the camera using the IP Tool

1.**Default Network settings for the camera are:

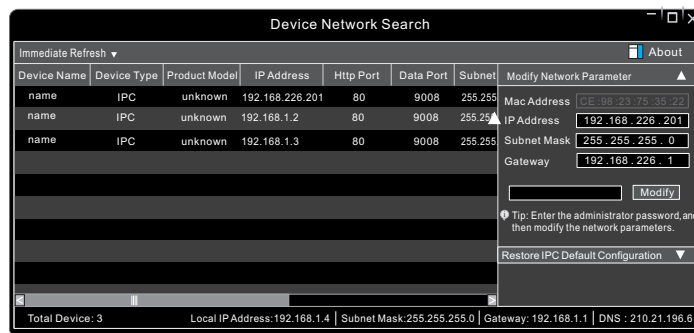
- IP address: 192.168.226.201
- Subnet Mask 255.255.255.0
- Gateway: 192.168.226.1

2. Connect the IP camera and a Windows computer to a network switch or router
3. Find IPTool on the CD, and install it on the computer.
4. Determine what the local network scheme is.



Click windows **START** button > in the Search box > Type **CMD** > Select **COMMAND PROMPT**

5. Type **IPCONFIG** within the console > Press Enter
6. Listed is **LOCAL AREA CONNECTION** with an IP address/Subnet Mask/Default Gateway
7. Write down the information for local area connection displayed in Command prompt
8. Double-click to open the IP search tool



9. Under Modify network parameter, change the first 3 DIGITS (OCTETS) OF THE IP ADDRESS TO MATCH THE NETWORK SCHEME FROM STEP 5 ABOVE. THE LAST OCTET WILL BE A DIFFERENT NUMBER, YOU MUST CHOOSE AN IP ADDRESS THAT IS AVAILABLE ON THE NETWORK TO PREVENT A CONFLICT. Use the PING command in the command prompt to find and available IP address.

**ex. C:\user\desktop> ping 192.168.1.199 If the ping “request times out”, or “destination host unavailable” then the IP address is available for use.

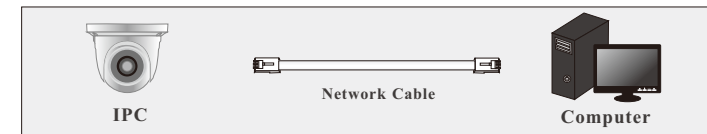
10. Proceed to enter in the available IP address, and use the same subnet mask and Default Gateway from step 5

11. Type in the password of the camera:
DEFAULT PW: **123456** > Click **MODIFY**

12. The camera IP will change if modify is successful

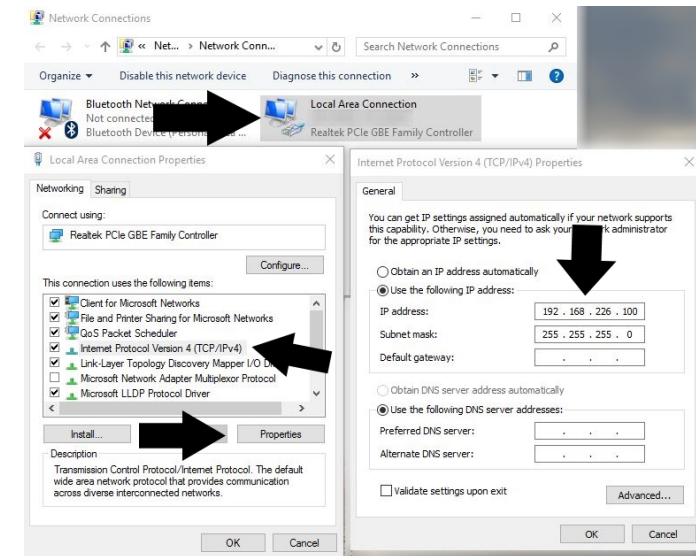
13. You can now access the camera settings via Internet Explorer by typing `http://<ip address of camera>`

SECTION 2: Accessing the camera using Internet Explorer WITHOUT IPTool:



If you do not know your local network scheme refer to Section 1, steps 4-10, **BEFORE** proceeding

1. connect the IP camera and a Windows computer to a network switch or router
2. On the computer, browse to:
 - a. Control Panel\Network and Internet\Network Connections
3. Right-Click Local Area Connection > Choose Properties
4. Highlight Internet Protocol TCP/IP version 4 > Click the Properties Button
5. See figure 1 Below for temporary IP configuration



6. After saving your temporary settings on the computer, you can now access the camera using Internet Explorer. In the address bar type: `http://192.168.226.201`

**IMPORTANT: AFTER you have configured the camera with a permanent IP address. You must repeat steps 2-4 and set your network adapter back to “obtain an IP address automatically.”

If everything has been setup correctly, in both cases you should be able to access the camera on the local network using Internet Explorer, or Sibell NVMS