



TVI 1080p Motorized Zoom HD IR Bullet

User Manual

Please read this manual carefully before use of the products and preserve for reference purposes. Specifications are subject to change without notice*



WARNING
Please don't open camera,
there is danger of electric shock



To reduce the risk of electric shock, do not open the case or back cover of the camera. Everything needed for user operation is on surface of camera. Please seek help from a qualified professional for repair.

Attention

Do not touch CMOS or lens

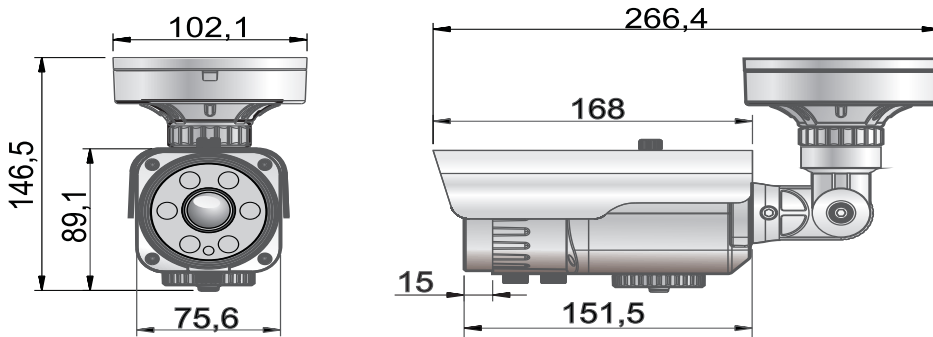
Keep camera out of dangerous way

Use specified power supply provided

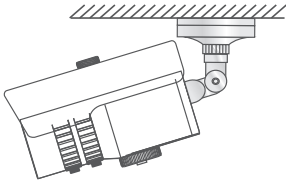
Point camera lens away from strong light

	HDOB-SB2IR550B
Image Sensor	1/3" 2.4M Panasonic CMOS
Effective pixels	1944(H) X 1092(V)
Sensor area	7.6mm X 5.8mm
Scanning System	Progressive
Resolution	Digital:1920×1080p(1080p/30fps) 1280×720p(720p/60fps) Analog:700TVL
Day & Night	EXTERN,COLOR, B&W,AUTO
Minimum illumination	COLOR:0.1Lux@(F2.0, AGC ON) B&W:0.01Lux@(F2.0, AGC ON)
S/N ratio	>50dB(AGC Off)
White balance	AUTO
Lens	5-50mm
Video output	CVI AHD TVI SELECTABLE By OSD
IR LED	6PCS dot matrix IR LED (wavelength 850Mm)
IR distance	80M
Power supply	DC 12V±10%
Power consumption	less than 11W

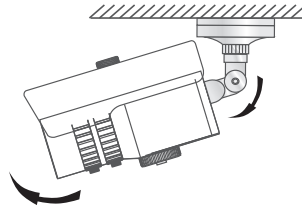
Specifications are subject to change without notice



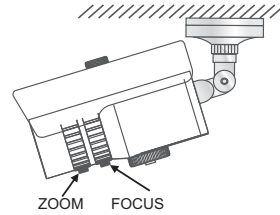
Installation



1. Fix the bracket onto the wall, then fix the camera to the bracket

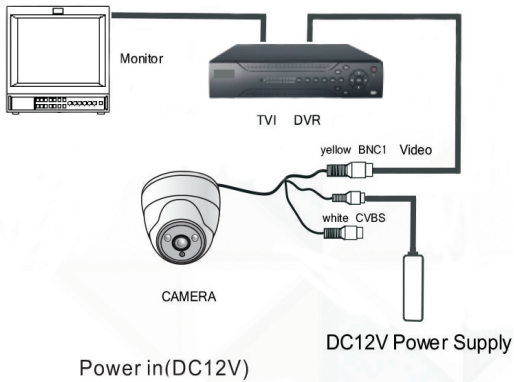


2. Turn the camera to desired position

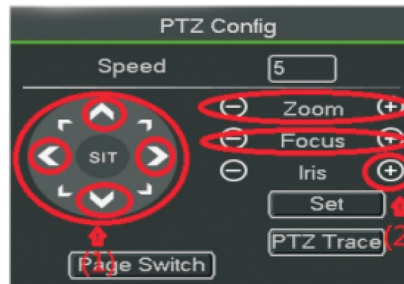


3. Adjust the zoom and focus to desired position

4. Connect the camera to the system



5. Auto Focus Control



1. Moves left,down,right, and up
2. Press to confirm
3. Adjusts focus length
4. Adjusts the field angle of lens



To select the video output mode push and hold the OSD joystick in for 5 seconds, do this several times until desired output is selected. Output mode will display on screen when format is changed.